

INSPINIA 10 SQ

10" Touch Panel - Datasheet

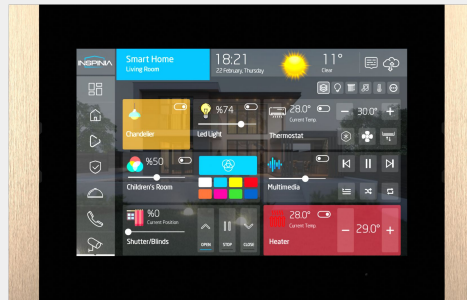


Color Options

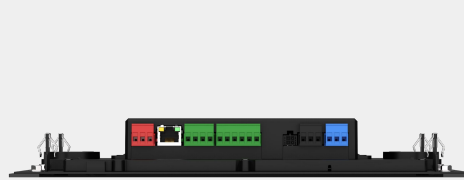
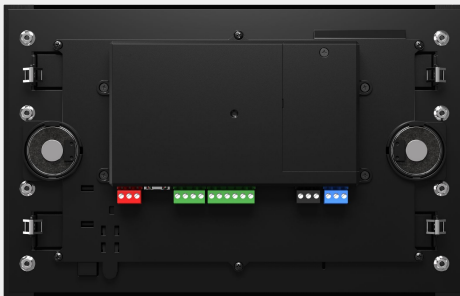
● Silver

● Gold

● Black

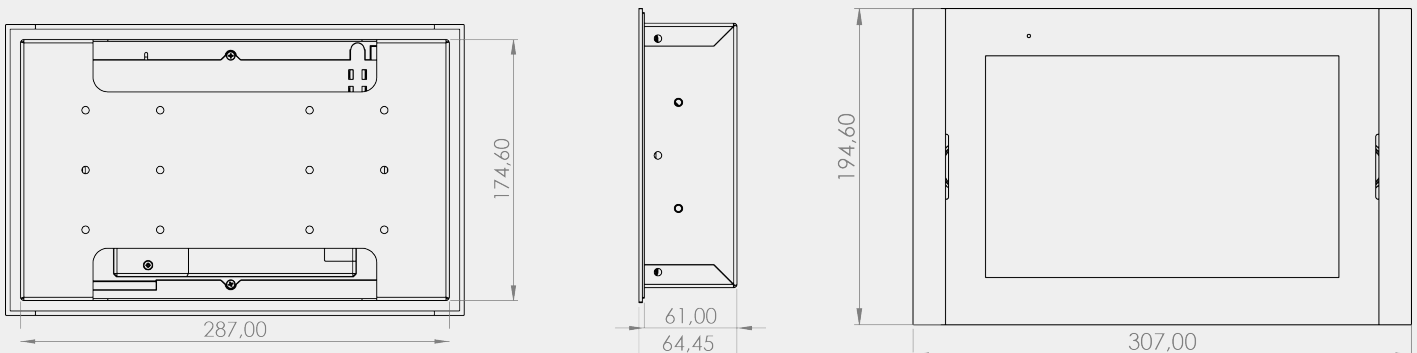


Product Side Views



Product & Back Box Dimensions

Front and side view without back box (mm)



INSPINIA 10 SQ

10" Touch Panel - Datasheet



Technical Specifications

Hardware / Software:	<p>Quad-Core 1.2 GHz / 1GB DDR3 Ram / 8GB Nand flash</p> <p>Android 7.1 with Inspinia Application up to 1000 UI objects and 2000 BMS points</p> <p>Initial license: 500 BMS points / No HVAC (VRV/VRF) points</p>
Display:	<p>IPS 10" 1280 x 800 resolution 300 cd/m2 luminance with 5 point capacitive touchscreen</p> <p>Horizontal working mode</p>
Power Supply:	<p>24VDC In</p> <p>POE IEEE 802.3at</p> <p>Power consumption max. 14W</p>
Standard Interfaces:	<p>1x LAN RJ45 10/100 Mbps interface</p> <p>2x Add-On Ports (Optional Interface Ports)</p> <p>5x Digital In</p> <p>2x Digital Out (Dry Contact 2A / 24V DC)</p> <p>1x Uni-port</p> <p>2x 2 Watt Speakers</p> <p>1x Mic Input</p>
Built-in Sensors:	<p>Humidity sensor range 0% up to 100% RH</p> <p>Temperature sensor range -40°C up-to +125°</p>
Optional Interfaces (Ref.):	<p>KNX TP (A-KNX)</p> <p>Bticino (SCS) TP(A-SCS)</p> <p>iNELS Bus TP (A-iBUS)</p> <p>Galvanic isolated RS485 Modbus (A-GRS4)</p> <p>VRF mainline communication (A-VXX)</p> <p>Zigbee 3.0 (A-ZGB)</p> <p>Infrared (IRGW-UP, UPort w/ 6 IR Leds)</p>
Working Temperature & Humidity:	<p>-10°C – +60°C</p> <p>5% – 90% at 25°C</p>

Certificates and Compatibility:



Order Code(s)

INS10SQ.B : Inspinia SQ 10" Panel w/ Black Bars
 INS10SQ.S : Inspinia SQ 10" Panel w/ Silver Bars
 INS10SQ.G : Inspinia SQ 10" Panel w/ Gold Bars



Inspiration for your **living space**

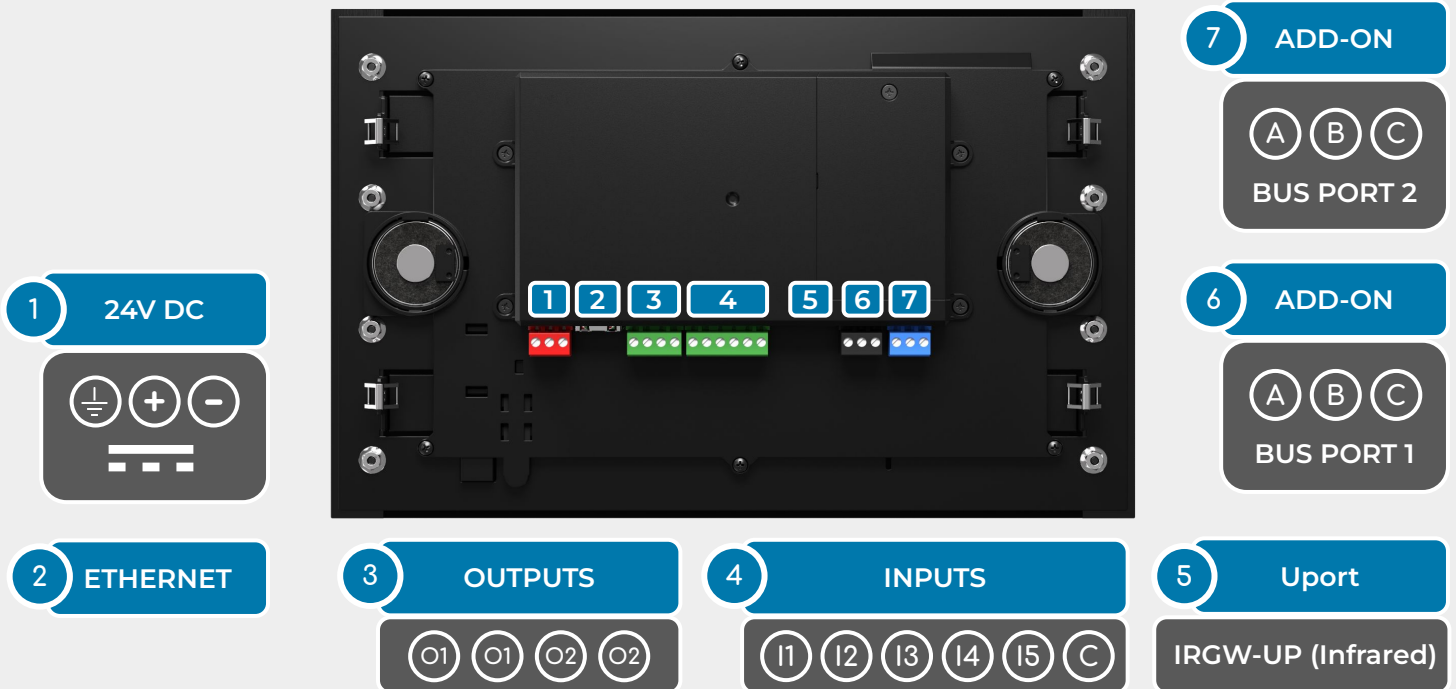
www.inspinia.eu

INSPINIA 10 SQ

10" Touch Panel - Installation Manual



PORTS & CONNECTIONS



PORT CONNECTION TABLE

Terminals	DAIKIN	HITACHI	LG	MITSUBISHI ELECTRIC	MITSUBISHI HEAVY INDUSTRIES	Panasonic	SAMSUNG	TOSHIBA
	6 Port 1 7 Port 2	A B C F1 F2	A B C 1 2	A B C A B	A B C M1 M2	A B C A B	A B C U1 U2	A B C R1 R2
Comm. Line	D3 NET	TCC LINK	INTER A B GEN A B	M NET (TB3/7)	S SLINK I/II	S3 NET	NASA	TCC LINK
Indoor Unit	64	64	128	50	64	64	64	64
Outdoor Unit	16	16	NO SUPPORT	10	NO SUPPORT	NO SUPPORT	16	NO SUPPORT

Terminals	iNELS	KNX	Modbus	SCS
	6 Port 1 7 Port 2	A B C + -	A B C + -	A B C A B G
Communication	Inels Bus	KNX TP	RS485	SCS Bus



Local Web Interface

Default IP : 192.168.2.100
 Username : admin
 Password : aEuXW6gn



Inspiration for your living space



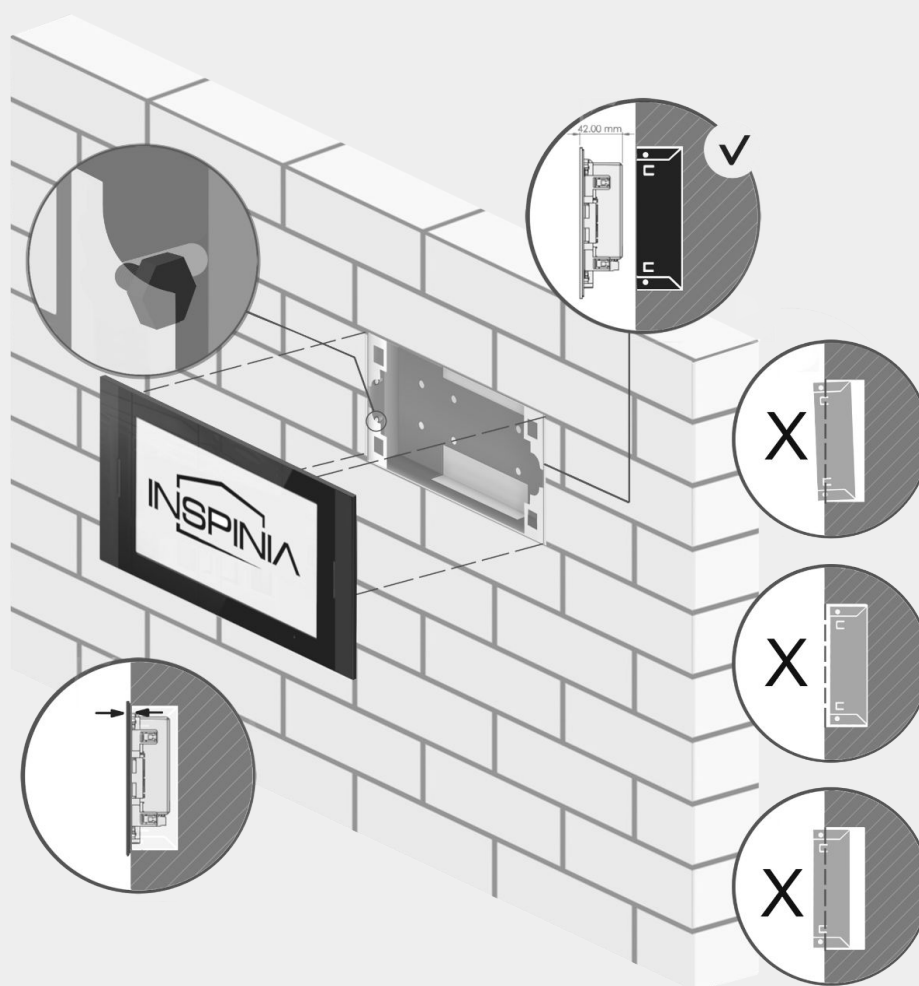
www.inspinia.eu

INSPINIA 10 SQ

10" Touch Panel - Installation Manual



HOW TO MOUNT YOUR INSPINIA



Local Web Interface

Default IP : 192.168.2.100
Username : admin
Password : aEuXW6gn



Inspiration for your **living space**

www.inspinia.eu